



DC-直流轴流风扇 200x200x60mm-2

马达可选功能列表 (Available Functions)

1. 马达保护 (Moto protection)

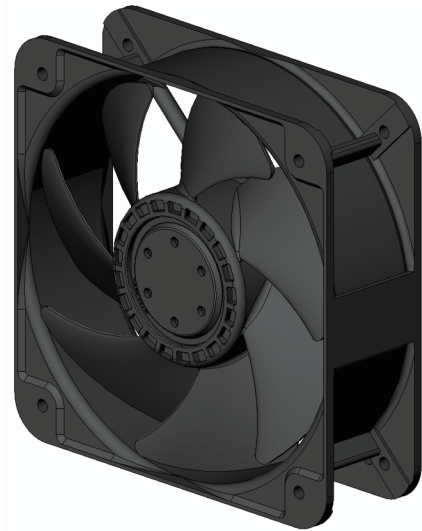
AS

2. 信号输出 (Signal out put)

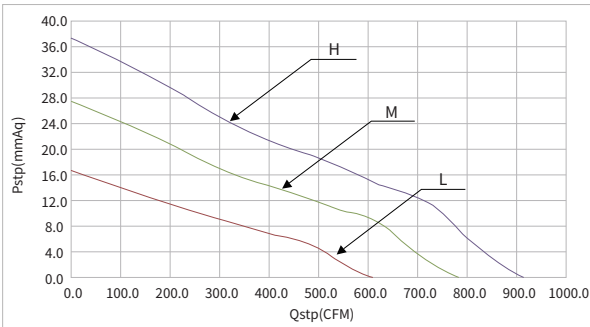
FG RD

3. 调速方式 (Speed control mode)

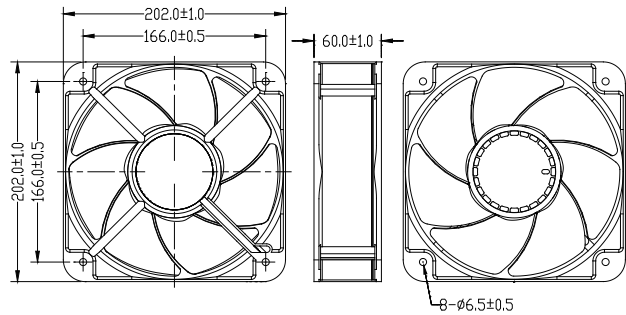
PWM TC



风扇P-Q曲线 / Fan performance curve



尺寸图 / Dimension drawing



| Model | | Bearing | Rated Voltage | Startup Voltage | Current | Power | Speed | Air Flow | | Static Pressure | | Noise |
|--------------|----------|---------|---------------|-----------------|---------|--------|-------|---------------------|--------|--------------------|--------------------|-------|
| 型号 | | 轴承 | 额定电压 | 启动电压 | 电流 | 功率 | 转速 | 风量 | | 风压 | | 噪音 |
| Part NO. | Function | System | VDC | VDC | A | W | RPM | M ³ /min | CFM | mmH ₂ O | INH ₂ O | dBA |
| HDB20024HW-2 | -A | Ball | 24 | 18.0 | 6.00 | 144.00 | 5000 | 25.63 | 905.60 | 36.20 | 1.43 | 73.3 |
| HDB20024MW-2 | -A | Ball | | 18.0 | 3.80 | 91.20 | 4500 | 22.05 | 779.10 | 27.40 | 1.08 | 69.9 |
| HDB20024LW-2 | -A | Ball | | 18.0 | 1.80 | 43.20 | 3500 | 17.15 | 606.00 | 16.60 | 0.65 | 64.5 |
| HDB20048HW-2 | -A | Ball | 48 | 24.0 | 3.00 | 144.00 | 5000 | 25.63 | 905.60 | 36.20 | 1.43 | 73.3 |
| HDB20048MW-2 | -A | Ball | | 24.0 | 1.90 | 91.20 | 4500 | 22.05 | 779.10 | 27.40 | 1.08 | 69.9 |
| HDB20048LW-2 | -A | Ball | | 24.0 | 0.90 | 43.20 | 3500 | 17.15 | 606.00 | 16.60 | 0.65 | 64.5 |