



## DC-直流轴流风扇

### 50x50x15mm

#### 马达可选功能列表 (Available Functions)

1. 马达保护 (Moto protection)

AS

2. 信号输出 (Signal out put)

FG

RD

3. 调速方式 (Speed control mode)

PWM

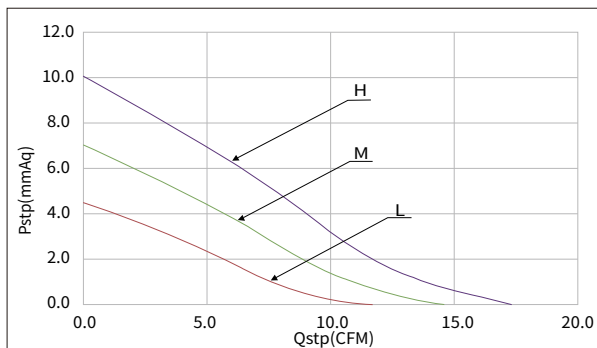
TC



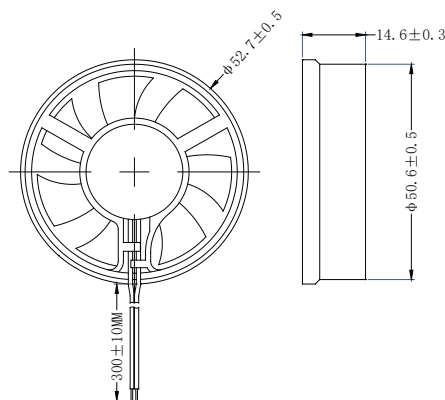
风扇单重: 20g (weight: 20g)



#### 风扇P-Q曲线 / Fan performance curve



#### 尺寸图 / Dimension drawing



Model	Bearing	Rated Voltage	Startup Voltage	Current	Power	Speed	Air Flow	Static Pressure	Noise			
型号	轴承	额定电压	启动电压	电流	功率	转速	风量	风压	噪音			
Part NO.	Function	System	VDC	VDC	A	W	RPM	M <sup>3</sup> /min	CFM	mmH <sub>2</sub> O	INH <sub>2</sub> O	dBA
HDH0505HD		Hydraulic	5	4.0	0.35	1.75	9000	0.50	17.59	10.12	0.40	47.9
HDH0505MD				4.0	0.28	1.40	7500	0.41	14.66	7.03	0.28	44.0
HDH0505LD				4.5	0.18	0.90	6000	0.33	11.73	4.50	0.18	39.2
HDB0505HD		Ball	5	4.0	0.35	1.75	9000	0.50	17.59	10.12	0.40	47.9
HDB0505MD				4.0	0.28	1.40	7500	0.41	14.66	7.03	0.28	44.0
HDB0505LD				4.5	0.18	0.90	6000	0.33	11.73	4.50	0.18	39.2
HDH0512HD		Hydraulic	12	9.0	0.22	2.64	9000	0.50	17.59	10.12	0.40	47.9
HDH0512MD				9.0	0.18	2.16	7500	0.41	14.66	7.03	0.28	44.0
HDH0512LD				9.0	0.13	1.56	6000	0.33	11.73	4.50	0.18	39.2
HDB0512HD		Ball	12	9.0	0.22	2.64	9000	0.50	17.59	10.12	0.40	47.9
HDB0512MD				9.0	0.18	2.16	7500	0.41	14.66	7.03	0.28	44.0
HDB0512LD				9.0	0.13	1.56	6000	0.33	11.73	4.50	0.18	39.2
HDH0524HD		Hydraulic	24	12.0	0.20	4.80	9000	0.50	17.59	10.12	0.40	47.9
HDH0524MD				12.0	0.16	3.84	7500	0.41	14.66	7.03	0.28	44.0
HDH0524LD				12.0	0.12	2.88	6000	0.33	11.73	4.50	0.18	39.2
HDB0524HD				12.0	0.20	4.80	9000	0.50	17.59	10.12	0.40	47.9
HDB0524MD				12.0	0.16	3.84	7500	0.41	14.66	7.03	0.28	44.0
HDB0524LD				12.0	0.12	2.88	6000	0.33	11.73	4.50	0.18	39.2