



## DC-直流轴流风扇 80x80x38mm-2

### 马达可选功能列表 (Available Functions)

#### 1. 马达保护 (Moto protection)

AS

#### 2. 信号输出 (Signal out put)

FG

RD

#### 3. 调速方式 (Speed control mode)

PWM

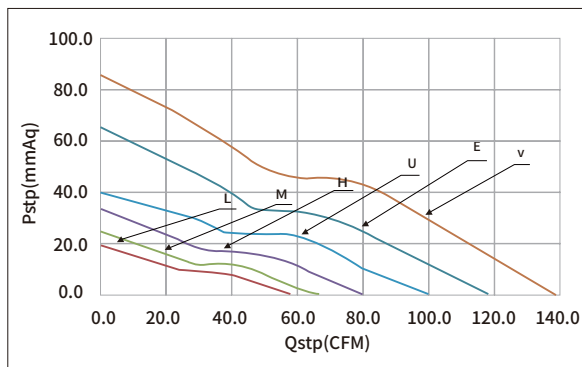
TC



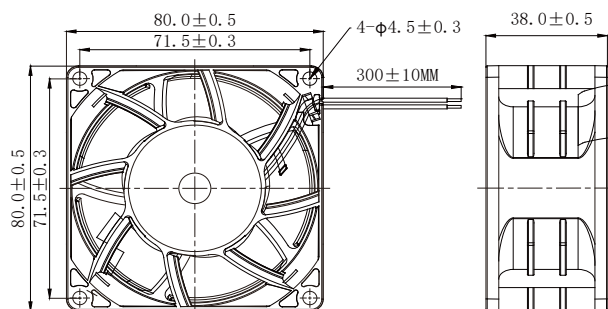
风扇单重:175g (weight:175g)



### 风扇P-Q曲线 / Fan performance curve



### 尺寸图 / DIMENSIONS DRAWING



Model		Bearing	Rated Voltage	Startup Voltage	Current	Power	Speed	Air Flow		Static Pressure		Noise
型号		轴承	工作电压	启动电压	电流	功率	转速	风量		风压		噪音
Part NO.	Function	System	VDC	VDC	A	W	RPM	M <sup>3</sup> /min	CFM	mmH <sub>2</sub> O	INH <sub>2</sub> O	dBA
HDB0812VF-2	-A	Ball	12	6.0	3.50	42.00	15000	3.88	137.25	85.95	3.38	69.54
HDB0812EF-2	-A			6.0	2.60	31.20	13000	3.29	116.35	63.22	2.49	63.56
HDB0812UF-2	-A			6.0	1.80	21.60	11000	2.81	99.46	39.43	1.55	61.18
HDB0812HF-2	-A			6.0	1.30	15.60	9000	2.26	80.02	33.76	1.33	53.49
HDB0812MF-2	-A			9.0	1.00	12.00	7500	1.88	66.58	24.74	0.97	51.49
HDB0812LF-2	-A			9.0	0.75	9.00	6500	1.64	58.07	19.47	0.77	47.60
HDB0824VF-2	-A	Ball	24	12.0	1.80	43.20	15000	3.88	137.25	85.95	3.38	69.54
HDB0824EF-2	-A			12.0	1.30	31.20	13000	3.29	116.35	63.22	2.4	63.56
HDB0824UF-2	-A			12.0	1.00	24.00	11000	2.81	99.46	39.43	1.55	61.18
HDB0824HF-2	-A			12.0	0.90	21.60	9000	2.26	80.02	33.76	1.33	53.49
HDB0824MF-2	-A			18.0	0.75	18.00	7500	1.88	66.58	24.74	0.97	51.49
HDB0824LF-2	-A			18.0	0.60	14.40	6500	1.64	58.07	19.47	0.77	47.60

提示1: 目录首页有功能的详细信息。 Notes1: The catalog have detail information in the front page for the functions.

提示2: 如果您需要列表中的其他转速或电压或功能, 请与我们的业务联系。 Notes2: If you need other speed or voltage or function in the list, please contact our business.